

To be filled in
by the retailer

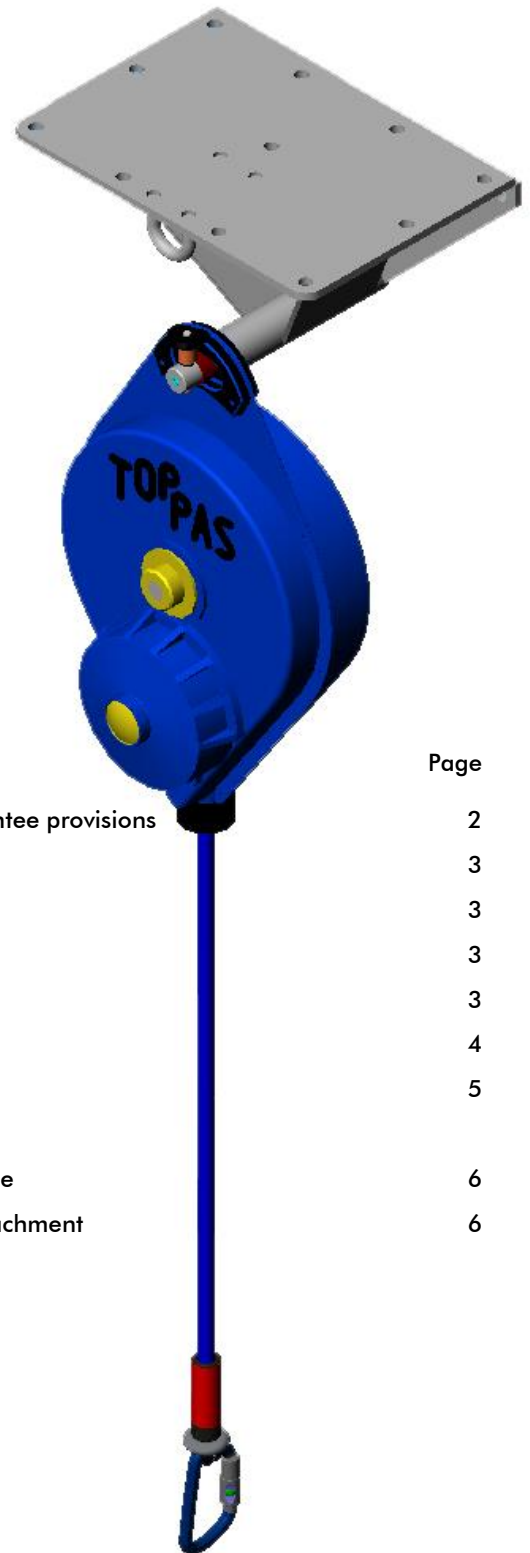
Name, Company

Address:

Telephon

Fax

Email:



Contents

	Page
EC Manufacturer's declaration/EC Declaration of conformity/Guarantee provisions	2
1. Operating instructions	3
1.1 Device identification	3
1.2 General information	3
1.3 Intended use of TOPPAS universal attachment	3
1.4 Installation examples	4
1.5 Fixing the TOPPAS universal attachment	5
2. Installing and dismantling TOPPAS with the positioning cable	6
2.1 Installing the positioning cable in the TOPPAS universal attachment	6
Device maintenance log	

TOPPAS- Universal Attachment Guidance for installation and application



2

EC Manufacturer's declaration/EC Declaration of conformity/

ntt Neuhaus Trans Tech GmbH, St.-Korbinian-Str. 8, 83626 Valley declares that

TOPPAS Universal attachment

Art-No.: 50140

delivered by ntt Neuhaus Trans Tech GmbH complies with the following prevailing safety regulations, CE sign affixed:

The TOPPAS- Universal attachment can be used as a climbing system/anchorage device only in combination with other components. It may not be commissioned until it is ensured that the entire system complies with the stipulations of EC directives/standards.

The TOPPAS- Universal attachment has been tested in accordance with the prevailing EN standards. ntt shall not bear any liability for deliveries in countries which do not accept this standard or which use standards or legal grounds deviating from this standard. ntt has covered the normal operations of the device through an industrial third party insurance. Within the scope of this insurance, ntt is liable to the buyer. Other claims, especially claims for damages arising from subsequent damage, are ruled out irrespective of the legal grounds. If the device is re-sold or rented out, the seller is under obligation to notify it to ntt, to document the condition of the TOPPAS- Universal attachment and to provide the video of current instructions to users and operating companies.

Guarantee provisions

1. ntt assumes guarantee for manufacturing and material defects for the duration of 24 months after the date of delivery. This shall not affect the inspection and maintenance intervals to be followed
2. This guarantee does not include any other liability and includes replacement and repairing of parts detected as defective by ntt.
3. For checking the complaints and repairs, please send the TOPPAS- Universal attachment to the address of ntt. ntt shall not bear any costs for transportation or consequential damage, costs for dismantling, installation, packaging or downtime.
4. The guarantee does not include
 - parts that wear out prematurely due to intensive usage (e.g. safety cable)
 - Parts of other manufacturers and the parts that have not been installed by ntt
 - Parts that have been modified or repaired without the manufacturer's consent
 - Parts that are damaged due to improper usage and application.
5. The TOPPAS- Universal attachment and accessories must ensure the safety of persons; they must therefore be installed, operated, handled and repaired as per the manufacturer's specifications. Depending on the load and condition, ntt must repair the TOPPAS and accessories at **regular intervals**, however, at least after every 12 months, and check them for their flawless condition. The prevailing statutory regulations applicable at the installation site must be observed.
6. Guarantee claims can be asserted, only if these legally-binding guarantee provisions are signed by the customer or the operation company and sent back to ntt. With their signatures, the customer and/or the operating company agrees to these guarantee provisions.
7. In case of a guarantee claim, always send a copy of the signed guarantee provisions.

To be filled in by the operating company:

Invoice address:

Delivery address:

Name, Company

Name, Company

Address

Address

Telephone

Telephone

Fax

Fax

Email

Email

_____, date _____

- Operating company / Customer / Retailer -

1. Operating instructions for TOPPAS universal attachment

1.1 Device identification

Manufacturer:
ntt GmbH
St-Korbinian-Str. 8
D-83626 Valley

1.2 General information

- Operating instructions for TOPPAS and TOPPAS universal attachment as well as the video are regularly updated and can be downloaded from our Homepage.
- The customer/reseller of TOPPAS must ensure that the latest version of these instructions to users and operating companies and the video are provided to the end customer, the in-charge and users of TOPPAS and TOPPAS universal attachment, and that they have understood and will follow these instructions. If required, these instructions and the video can be provided in the language of a particular country. The name of the end customer must always be notified to us.
The end customers must be able to handle TOPPAS universal attachment properly. Please contact ntt for information and training courses.
- The regular attachment of the TOPPAS universal attachment, the correct selection of the attachment place and proof of the load-carrying capacity of the materials (wall, ceiling, etc.). the means of mounting as well as the selection, attachment and protection of the positioning rope is incumbent on the buyer, operator or authorization.

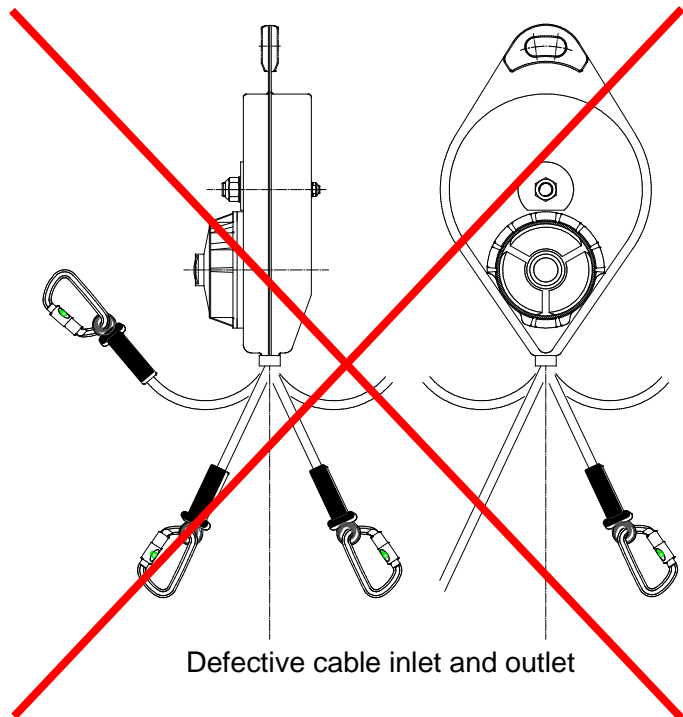
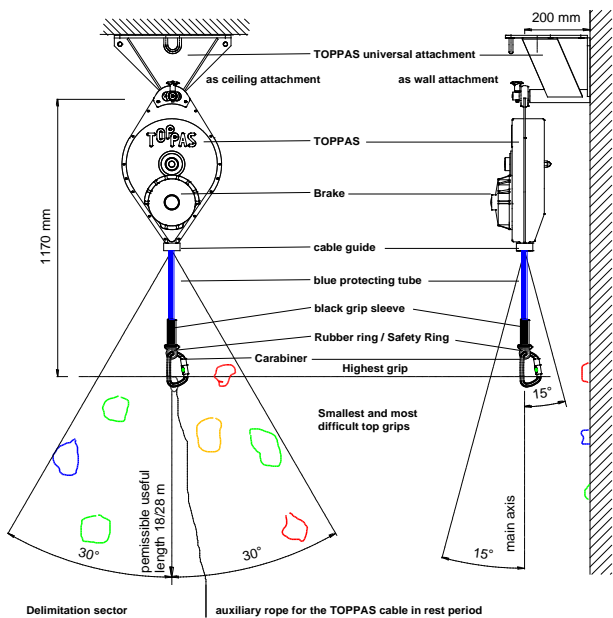
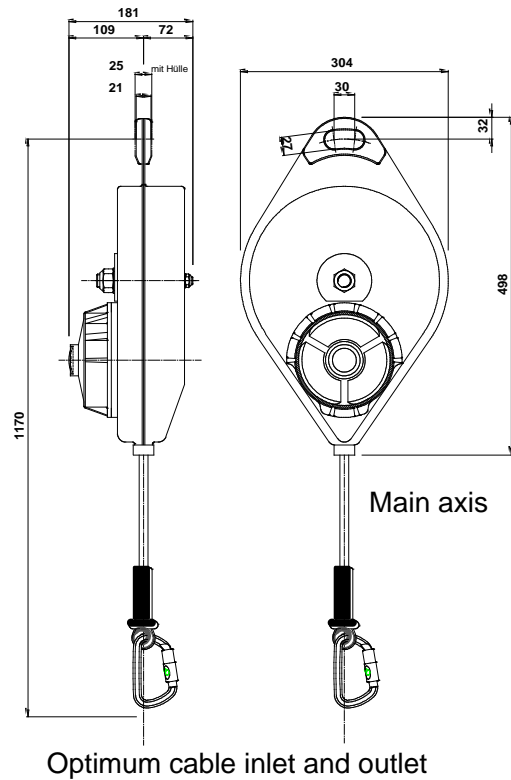
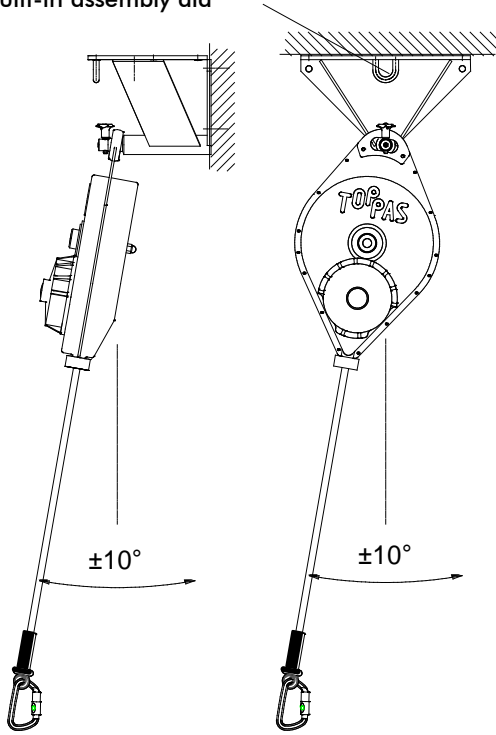
1.3 Intended use of TOPPAS universal attachment

- The TOPPAS universal attachment must be used for the intended purpose only in the technically flawless condition. **In case of faults or damage, the operation of the TOPPAS universal attachment must be stopped immediately and ntt must check it.**
- The operating company must ensure that the usage instructions are understood and followed.
- The supplier/manufacturer shall not be responsible for damage caused due to improper usage or modification.
- The universal attachment must be installed horizontally or vertically.
- Deviating installation positions, modifications or additions to the device unit must be checked and approved by ntt in writing.
- When planning, always ensure that the proper drawing function of TOPPAS is assured and implemented.
- The TOPPAS universal attachment must be planned and installed properly. The substructure and structural devices such as wall and roof materials must withstand the induced total force of 8 kN or 7 kN per fixing point (dowel, screw) and must have at least twice load-bearing capacity.
- Fixing aids, screws, nuts and dowels and their materials must be adapted for the application case and the installation situation and must have an approval certificate.
- Cable inlet and outlet of TOPPAS must always be linear and take place in-line or centrally.
- The TOPPAS universal attachment must be installed at such a distance from the climbing wall that cable is not deflected
- Climbing grips must be positioned and selected such that only minor cable deflection is possible in all directions, especially upwards. This should avoid impacts and oscillations especially in the upper section of the wall.
- When installing and dismantling TOPPAS, always secure using the positioning cable until the ball lock pin is inserted.
- Insert the ball lock pin into the hole of the axis from top and secure additionally using the securing screw.
- ntt or an expert must check the brackets and especially the bearing points, screw joints, safety connectors, etc. for functional capability at least during the annual check.

TOPPAS- Universal Attachment Guidance for installation and application

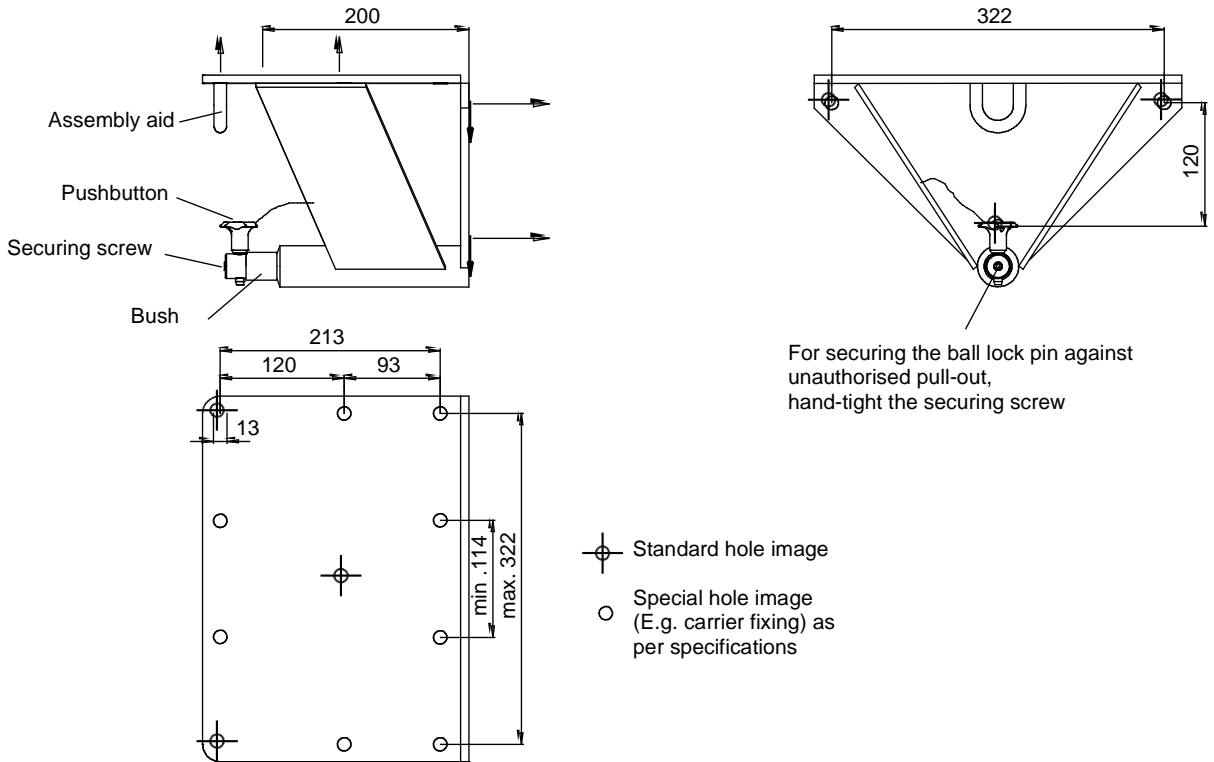
1.4 Installation examples

TOPPAS universal attachment for roof and wall installation with built-in assembly aid



1.5 Fixing the TOPPAS universal attachment

Nominal traction force per fixing and screwing point is 7 kN
Transverse force 4 kN



For securing the ball lock pin against unauthorised pull-out, hand-tight the securing screw

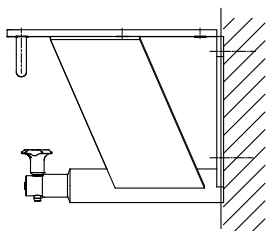
Press the pushbutton of the ball lock pin and insert the connector into the hole of the axis from top. Ensure that the pushbutton snaps open after inserting the ball lock pin and then lock the balls. Secure the connector using the securing screw and the size-4 Allen key such that it is hand-tight.

It can be dismantled in the reverse order.

The installation position of TOPPAS with respect to the wall attachment must be vertical. The ball lock pin must be loaded during operation, e.g. diagonal pull.

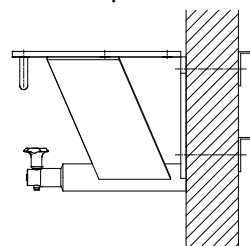
Fixing types for wall attachment

1. Concrete



3 x bonding anchors
E.g. Hilti HVA M12
Tightening torque 40 Nm
Optional
3 x bonding anchors
E.g. Hilti HVZ M12
Tightening torque 70 Nm

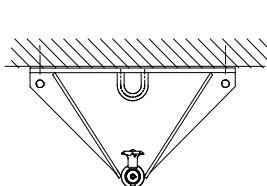
2. Clamps on wooden walls, tile/brickwork



With counter bracket, product no. 50009
3 x threaded rods M12 - 8.8 and stop nuts
Tightening torque 70 Nm

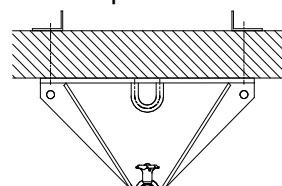
Fixing types for roof attachment

1. Concrete



3 x bonding anchors
E.g. Hilti HVA M12
Tightening torque 40 Nm
Optional
3 x bonding anchors
E.g. Hilti HVZ M12
Tightening torque 70 Nm

2. Clamps on wooden walls, tile/brickwork



With counter bracket, product no. 50009
3 x threaded rods M12 - 8.8 and stop nuts
Tightening torque 70 Nm

2. Installing and dismantling TOPPAS with the positioning cable

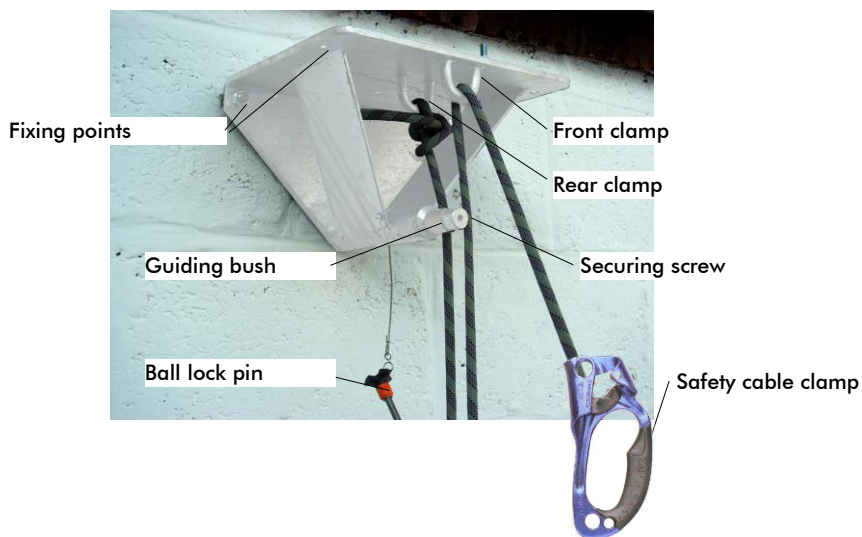
In the normal case, TOPPAS should be installed or dismantled from the secured work position using work or lifting platform. If this is not possible, use a positioning cable to lift TOPPAS comfortably up to the TOPPAS universal attachment, position and lock it properly. The same is applicable for dismantling as well.

Prerequisites:

- The positioning cable length must be at least 3 times the installation height of TOPPAS. We recommend a slip-proof mountaineering rope > 9 mm
- Another person to lift TOPPAS
- Securing against the run-out of the cable using floor-side abutments (e. g. Ascension cable clamp or Basic by Petzl)
- Secured access to the universal attachment for another person

2.1 Installing the positioning cable in the TOPPAS universal attachment

2.1.1 Secured end stops of the positioning cable on the rear clamp (e.g. rope-up node)



2.1.2 Guide the cable through the grip of TOPPAS and upwards through the front clamp and again downwards



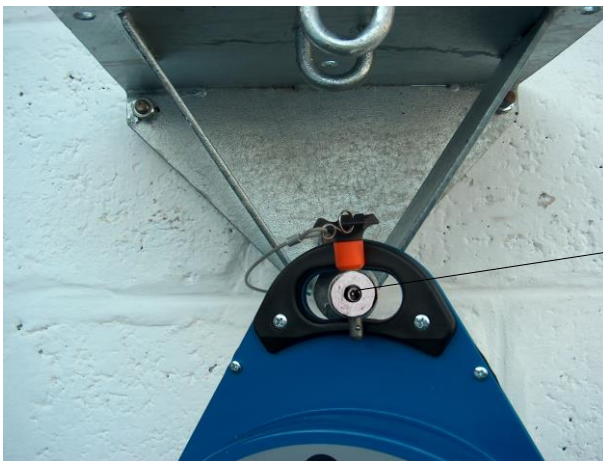
TOPPAS-Universal Attachment Guidance for installation and application

2.1.3 Lift TOPPAS up to the height of the installation position

Secure the positioning cable against slackening using the cable clamp.

Then slide TOPPAS over the locking pins (note – do not forget bushes, brake shows forward) and lock using the ball lock pin. Then secure the ball lock pin using the securing screw.

Only then remove the positioning cable



Securing screw

2.1.4 The dismantling procedure is similar